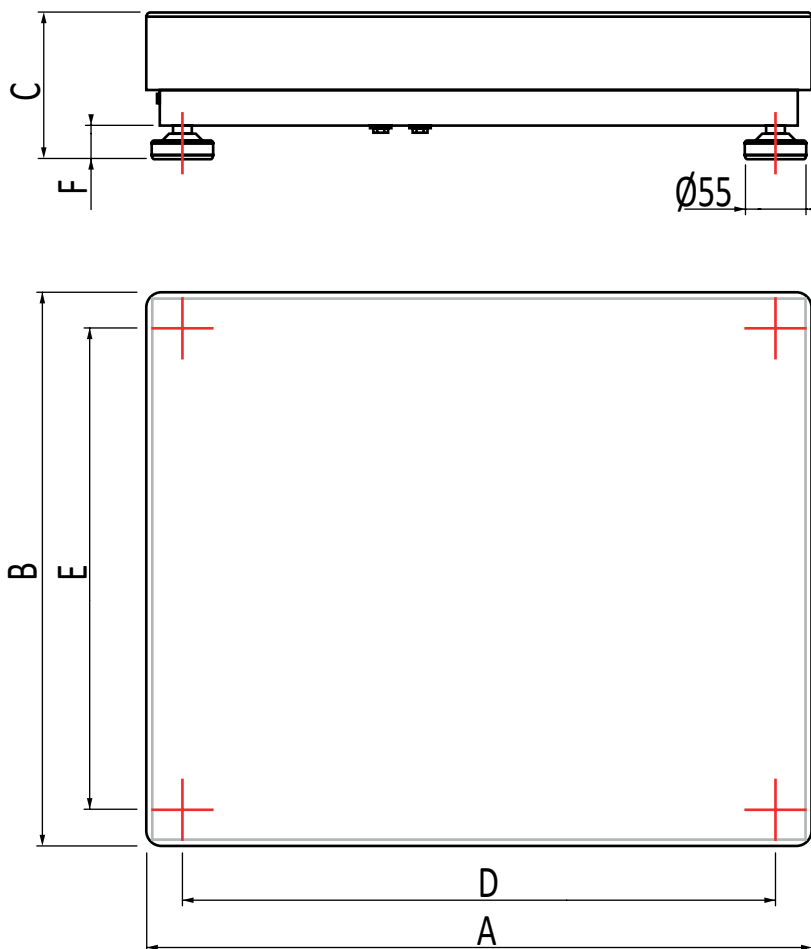




# T - TE

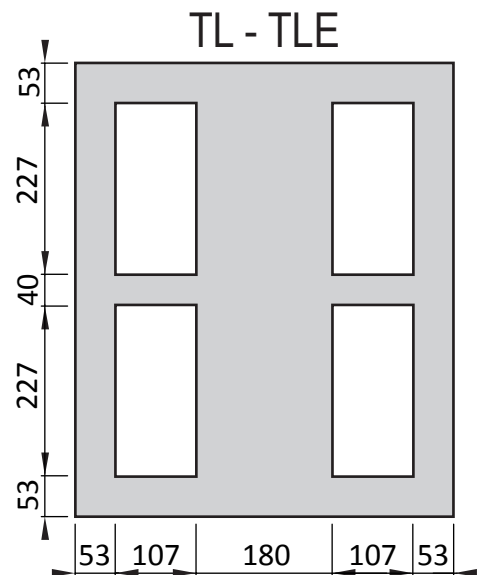
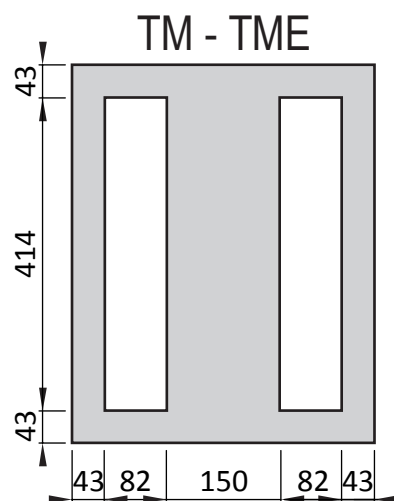
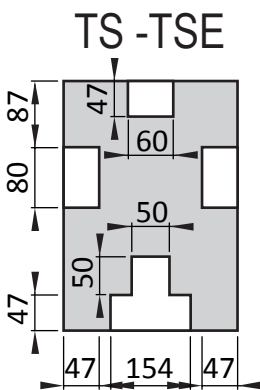
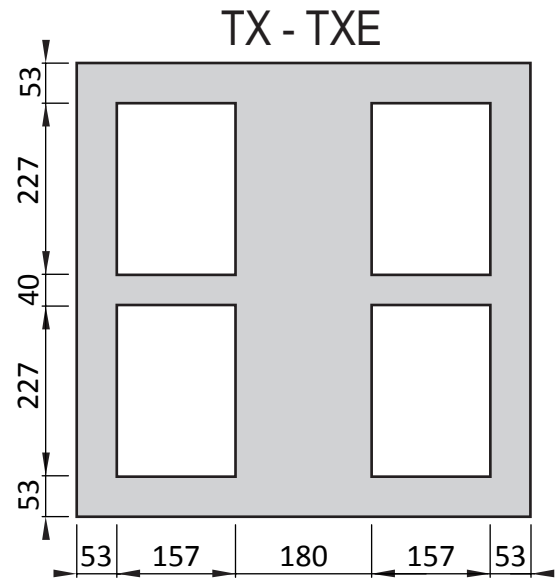
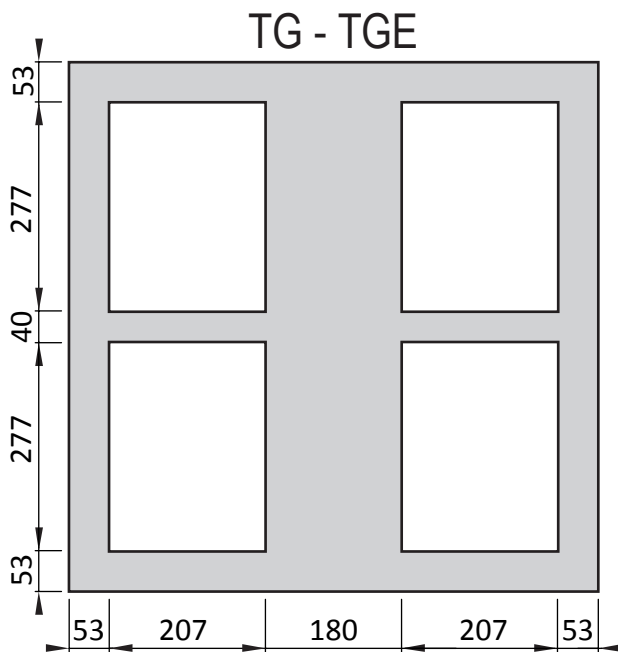
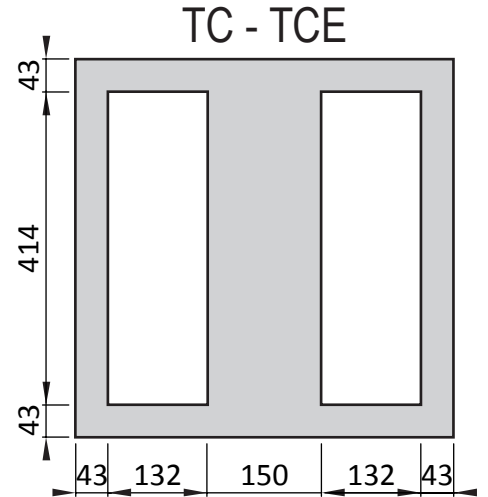
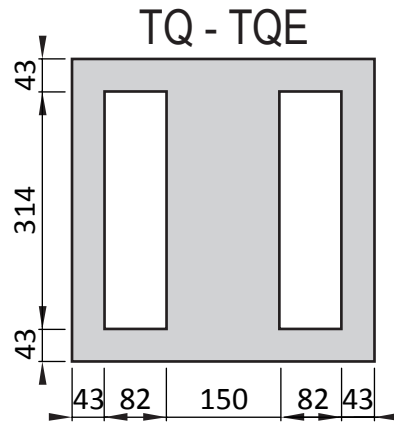
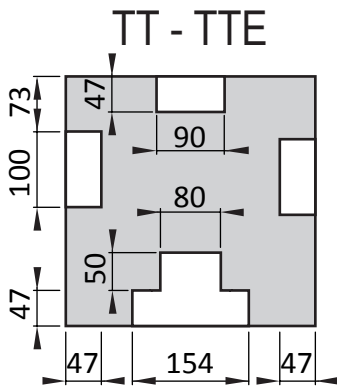


MODEL	A	B	C (T)	C (TE)	D	E	F
TS/TSE	230	330	93-108		178	290	30-45
TT/TTE	330	330	93-108		278	290	30-45
TQ/TQE	400	400	115-130		345	345	30-45
TM/TME	400	500	115-130		345	445	30-45
TC/TCE	500	500	110-125	115-130	445	445	30-45
TL/TLE	500	600	132-147	137-152	435	535	30-45
TX/TXE	600	600	137-152		535	535	30-45
TG/TGE	700	700	145-160		635	635	30-45

dimensions in mm

# T - TE DRILL AREA

-  area where drilling hole is permitted
-  area where drilling hole is not permitted



dimensions in mm  
scale 1:10