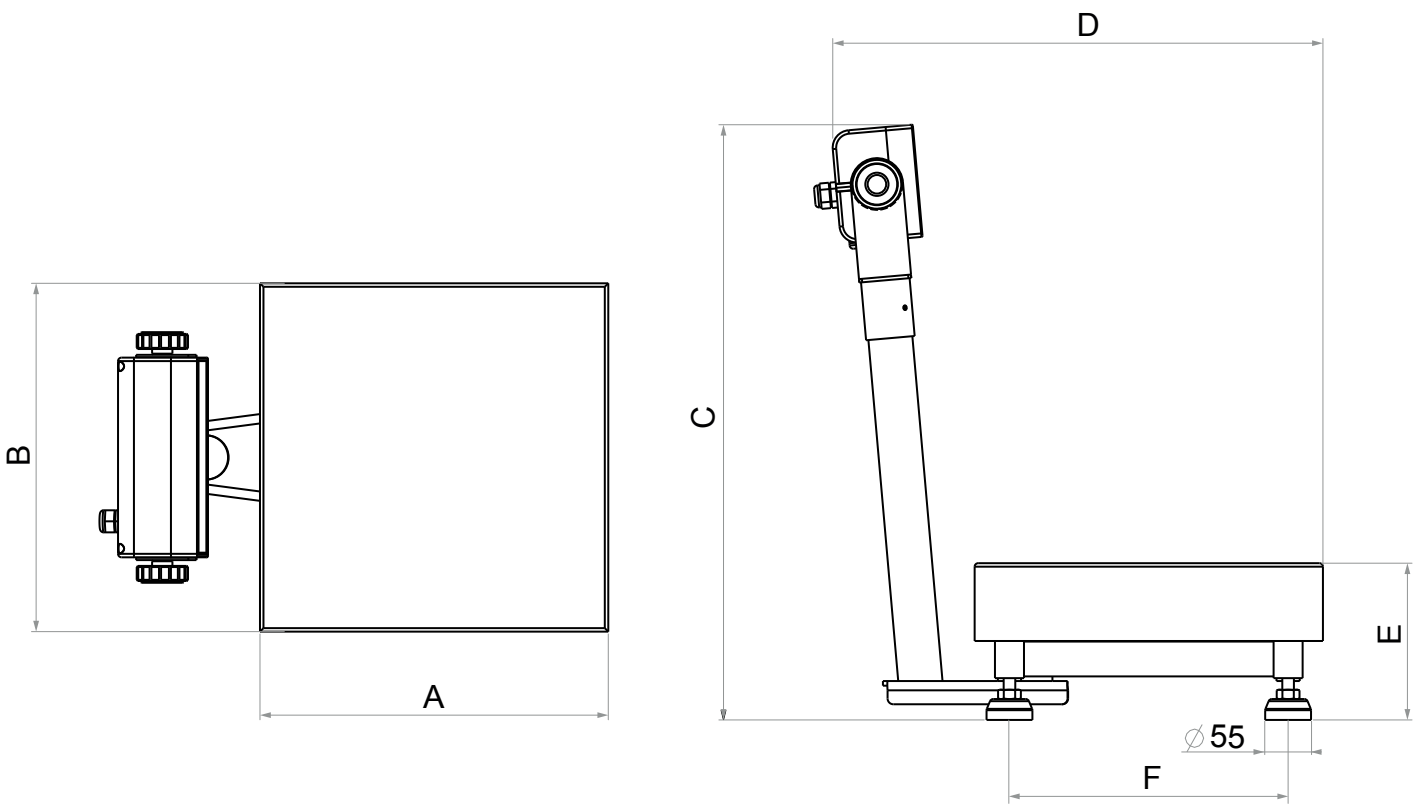


WALL-E

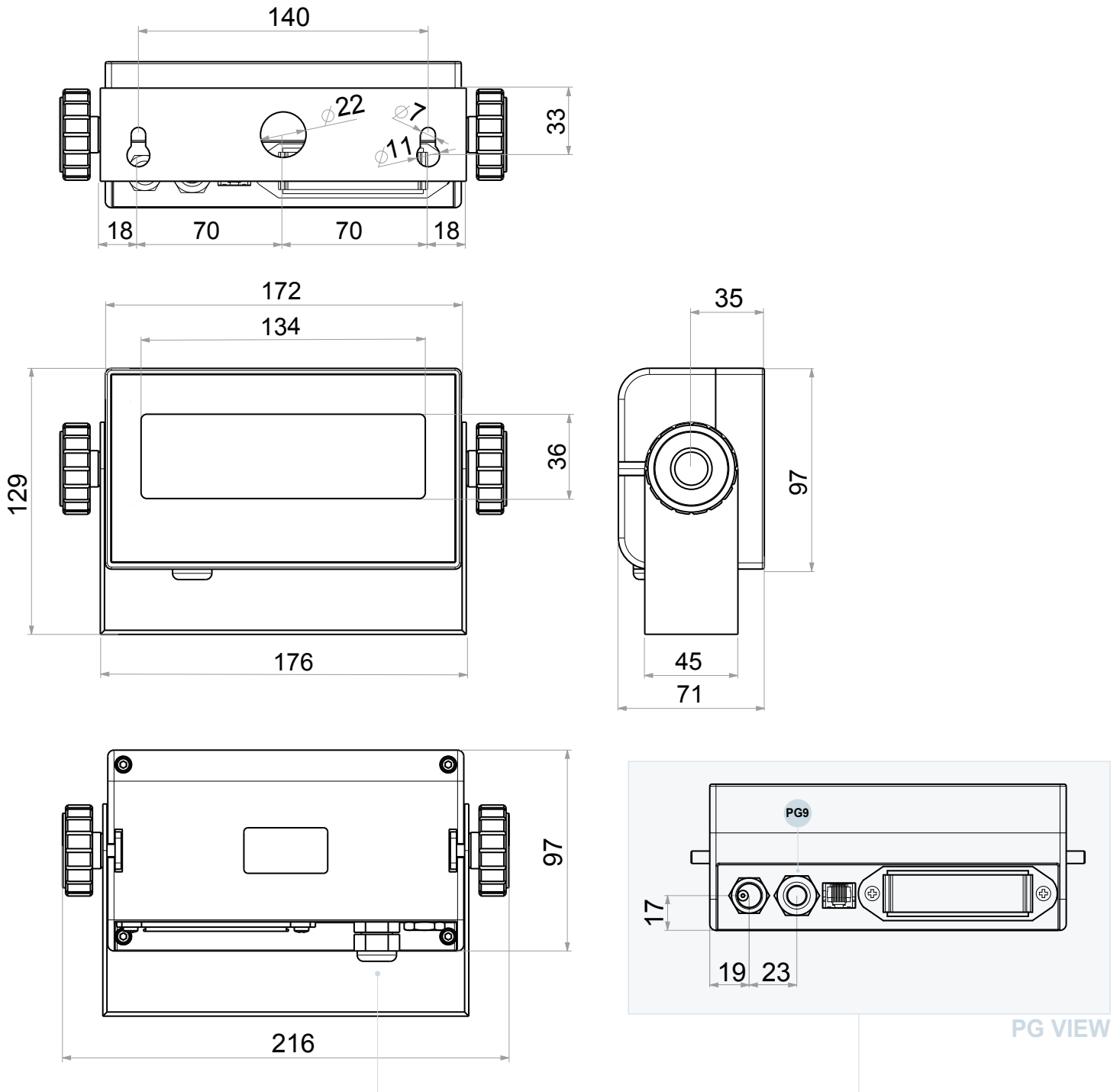


COD.	A (mm)	B (mm)	C (mm)	D (mm)	E (mm)	F* (mm)
WETxx	300	300	512,5	422	130	240x240
WEQxx	400	400	656,5	535	140	340x340
WEXxx	600	600	855,5	815,5	150	540x540
WEExx	800	800	855,5	1015,5	165	740x740

* Tolerance ± 5 mm

dimensions in mm

DFWL



Cable gland	Min. cable ϕ (mm)	Max. cable ϕ (mm)	Fastening torque (Nm)
PG9 - plastic	3,5	8	2

dimensions in mm